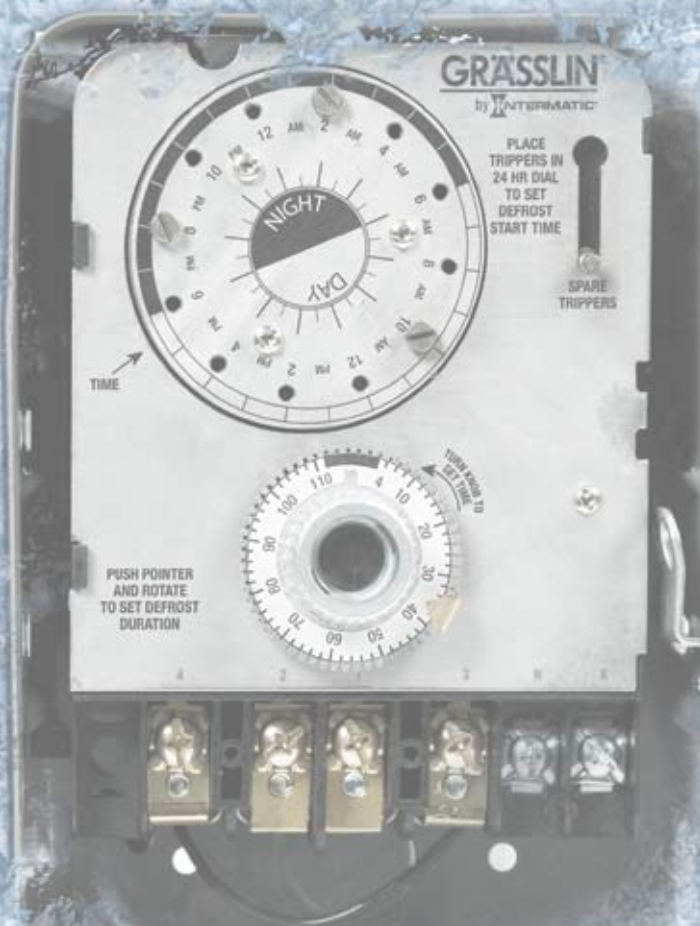


Switch It Up!



G8000 Series Defrost Timer

GRÄSSLIN[™]
by **INTERMATIC**

Make the Change...

Switch to the G8000 Defrost Timer

As a trusted industry leader in time-based controls for over 60 years, Intermatic proudly introduces the new **G8000 Defrost Timer**.

Complete with an industry-leading **2-year warranty**, the G8000 features heavy-duty silver-plated welded amp contacts. Its encapsulated design prevents dust and dirt buildup.

The G8000 easily snaps into most enclosures, for quick and **easy installation**.

Why settle for less?

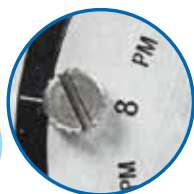
Switch to the most reliable name in mechanical controls with the Intermatic **G8000 Defrost Timer**.



ready, *set,*



1 Set
Time



2 Set
Defrost



3 Set
Defrost
Duration

GO!

Standard Features

- 40 Amp 2 HP contacts
- Time Initiated. Temperature, Pressure, or Time Terminated.
- 1-6 defrost events per day
- Minimum Time Termination 4 min.
- Maximum Time Termination 110 min.
- Operating Voltage: 120 or 208-240 VAC, 60 Hz.
- Spare Tripper Holder

Get More...

From Your Defrost Timer

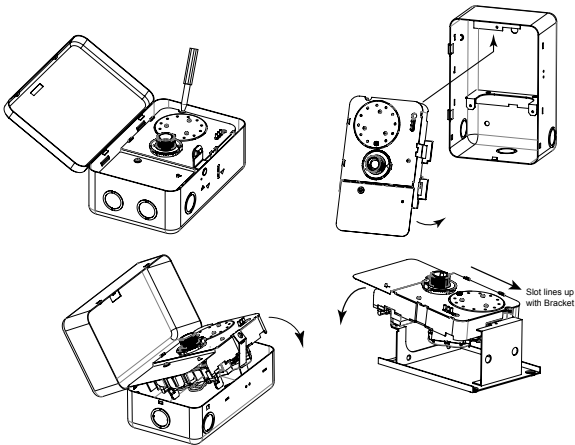
G8000 Competitors

2-year limited warranty	✓
Heavy-duty silver-plated welded 40 amp contacts	✓
Encapsulated timer module design prevents dust and dirt buildup	✓
Switching design exceeds 30,000 cycle UL873 Refrigeration standard	✓
Quick and easy installation	✓

Model #	VAC, 60 Hz	Switch	Description
G8045-00	120	1 N.O./1 N.C.	Time Initiated.
G8045-20	208-240	1 N.O./1 N.C.	Time Terminated.
G8145-00	120	1 N.O./1 N.C.	Time Initiated.
G8145-20	208-240	1 N.O./1 N.C.	Temperature, Pressure, or Time Terminated.

Gain Versatility...

With the G8000 Timer Mechanism



**Mechanism
fits into most
enclosures**

**Replaces the
following**

Intermatic

G8045-00

G8045-20

G8145-00

G8145-20

Paragon

8045-00

8045-20

8145-00

8145-20

SUPCO

S804500

S804520

S814500

S814520

Precision

6045-00

6045-20

6145-00

6145-20



Intermatic Incorporated
7777 Winn Road
Spring Grove, IL 60081

Switch It Up!