

# Product Data Sheet



## PDH-11-2-X

Replace "X" with 1, 2, 3 or 4 for number of poles



**Power Distribution Block**  
**115 Amps, 600 Volts (AC/DC)**  
**800V AC/DC CE (IEC 60947-7-1)**

See tables below for SCCR wire ranges, flexible stranded and multiple wire approvals.

### Wire Range:

Line side: (1) #2 - #14 AWG  
 Load Side: (1) #2- #14 AWG

### Electrical Ratings:

- 115A copper wire, 90A aluminum wire (Based on NEC Table 310-16, 75°C columns)
- CE Rated Voltage (U<sub>i</sub>): 800 V AC/DC per IEC 60947-7-1
- Material Group: IIIa
- Pollution Degree: 3
- 600 Volts AC/DC (UL 1059 Class C, User Group - General Industrial)
- Factory and Field Wiring

### Short Circuit Current Ratings (Copper wire only):

Wire Class	Suitable Conductors (kcmil/AWG)		Overcurrent Protection Fuse Required Class/Max Amp Rating						SCCR, RMS SYM Amps	Volts Max
	Line	Load	J	T	RK1	RK5	G	CC		
B, C	2 - 6	2 - 6	200	200	200	100	60	30	200,000	600
B, C	8 - 10	8 - 10	100	100	100	-	60	30	100,000	600
G, H, I, K	4 - 10	10 - 14	150	150	100	30	60	30	100,000	600

• Short Circuit Current Rating investigated in 16 x 12 x 6 enclosure. Use in smaller enclosure is subject to end-use evaluation.

Line	Load	Overcurrent Protection Circuit Breaker Required			SCCR, RMS SYM Amps	Volts Max
		MFR	Type	Max Amp		
2 - 6	2 - 6	Square D	JDL36250	250	18,000	480
		Square D	JGL36250	250	35,000	480
		Square D	JJL36250	250	65,000	480
		Square D	JLL36250	250	65,000	480
8 - 10	8 - 10	Square D	HDL36100	100	18,000	480
		Square D	HDL36100	100	35,000	480
		Square D	HJL36100	100	65,000	480
		Square D	HLL36100	100	65,000	480

Note: Circuit Breaker Overcurrent Protection with B & C Wire Classes only

**Mechanical Ratings:**

- Maximum insulator base temperature: 125°C (257°F) UL RTI
- Flammability rating of insulator base: UL 94 V-0
- \* Use outside these ratings needs to be judged in the end-use application.

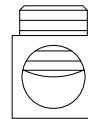
**Materials:**

- Connector: High conductivity aluminum, tin plated
- Insulator base: Glass filled polycarbonate (thermoplastic)
- Terminal set screws: Steel, nickel plated
- Connector mounting screws: Steel, zinc plated

**Agency Approvals:**

- UL Recognized, UL 1059 Terminal Block Standard, File No. E84782
- CSA Certified, CSA C22.2 No. 158, File No. MC 249467 (Wire Classes B & C only)
- CE compliant to IEC 60947-7-1
- RoHS Compliant

**Wire Approvals:**



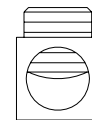
**Line Side Wire Approvals:**

		Copper Wire Stranding Classes - Number of Strands						
Wire Size	Torque	Solid	Class B	Class C	Class G	Class H	Class I	Class K
2 AWG	50 in. lbs		7	19				
4	45 in. lbs		7	19	~ 49	~ 133	~ 105	~ 420
6	45 in. lbs		7	19	~ 49	~ 133	~ 63	~ 266
8	40 in. lbs		7	19	~ 49	~ 133	~ 41	~ 168
10	35 in. lbs	1	7	19			~ 27	~ 104
12	35 in. lbs	1	7	19			~ 19	~ 65
14	35 in. lbs	1	7	19			~ 19	~ 41

~Quantity of strands for Classes G, H, I, K may vary by manufacturer.

Aluminum stranded wire range: #2 – #12 AWG

**Load Side Wire Approvals:**



		Copper Wire Stranding Classes - Number of Strands						
Wire Size	Torque	Solid	Class B	Class C	Class G	Class H	Class I	Class K
2 AWG	50 in. lbs		7	19				
4	45 in. lbs		7	19	~ 49	~ 133	~ 105	~ 420
6	45 in. lbs		7	19	~ 49	~ 133	~ 63	~ 266
8	40 in. lbs		7	19	~ 49	~ 133	(1-2)* ~ 41	(1-2)* ~ 168
10	35 in. lbs	1	7	19			(1-2)* ~ 27	(1-2)* ~ 104
12	35 in. lbs	1	7	19			(1-2)* ~ 19	(1-2)* ~ 65
14	35 in. lbs	1	7	19			(1-2)* ~ 19	(1-2)* ~ 41

~ Quantity of strands for Classes G, H, I, K may vary by manufacturer.

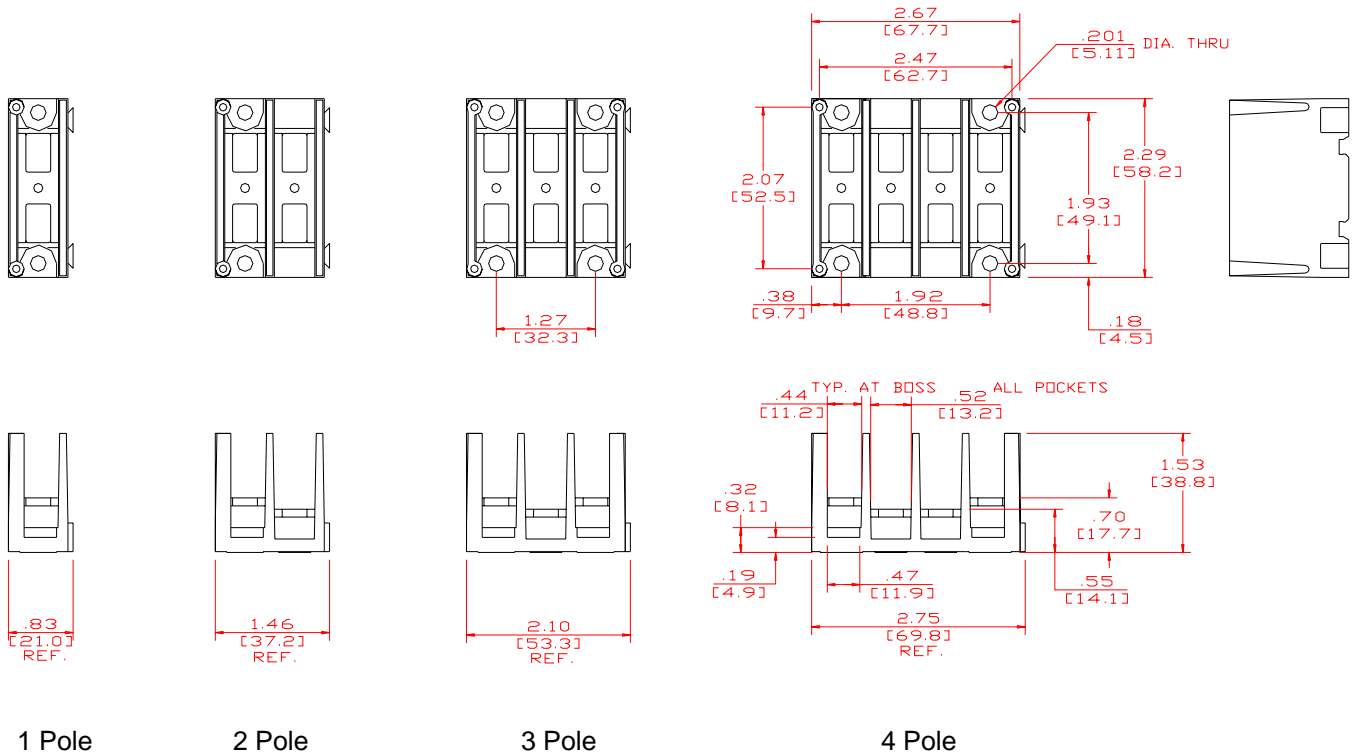
\* Multiple conductor approvals for **LOAD** side only. (copper wire only)

Aluminum stranded wire range: #2 – #12

- Wire strip length, line side tap – 1/2"
- Wire strip length, load side tap – 1/2"
- Hex key required: slotted
- Panel mountable: #10 fastener, torque to 25-30 in. lbs.

**Accessories:**

- Clear cover (screws provided): C-2-X (replace X with 1, 2, 3, or 4 for no. of poles)



[WWW.ILSCO.COM](http://WWW.ILSCO.COM)  
1-800-776-9775