

Product Data Sheet



PDH-14A-500-X

Replace "X" with 1, 2 or 3 for number of poles

Power Distribution Block
380 Amps, 600 Volts (AC/DC)
1,000V AC/DC CE (IEC 60947-7-1)



Wire Range:

Line side: (1) 500kcmil - #4 AWG

Load Side: (1) 350 kcmil - #6 AWG and (3) #2 - #14 AWG

[See tables below for SCCR wire ranges, flexible stranded and multiple wire approvals.](#)

Electrical Ratings:

- 380A Copper wire, 310A Aluminum wire (Based on NEC Table 310-16, 75°C columns)
- CE Rated Voltage (U_i): 1,000 V AC/DC per IEC 60947-7-1
- Material Group: IIIa
- Pollution Degree: 3
- 600 Volts AC/DC (UL 1059 Class C, User Group - General Industrial)
- Factory and Field Wiring

Short Circuit Current Ratings (Copper wire only):

Wire Class	Suitable Conductors (kcmil/AWG)		Overcurrent Protection Fuse Required Class/Max Amp Rating						SCCR, RMS SYM Amps	Volts Max
	Line	Load	J	T	RK1	RK5	G	CC		
B, C	500 - 3/0	350 - 6	600	600	400	200	60	30	100,000	600
B, C	2/0 - 4	2 - 14	200	200	200	100	60	30	100,000	600
G, H, I, K	350 - 2	1 - 14	600	600	600	200	60	30	100,000	600

- Short Circuit Current Rating investigated in 16 x 12 x 6 enclosure. Use in smaller enclosure is subject to end-use evaluation.

Mechanical Ratings:

- Maximum insulator base and cover temperature: 125°C (257°F) UL RTI
- Flammability rating of insulator base and cover: UL 94 V-0
- * Use outside these ratings needs to be judged in the end-use application.

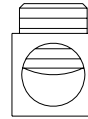
Materials:

- Connector: High conductivity aluminum, tin plated
- Insulator base: Glass filled polycarbonate (thermoplastic)
- Terminal set screws: Steel, nickel plated and aluminum, tin plated
- Connector mounting screws: Steel, zinc plated
- Hinged cover: Glass filled polycarbonate (thermoplastic)

Agency Approvals:

- UL Recognized, UL 1059 Terminal Block Standard, File No. E84782
- CSA Certified, CSA C22.2 No. 158, File No. MC 249467 (Wire Classes B & C only)
- CE compliant to IEC 60947-7-1
- RoHS Compliant

Wire Approvals:

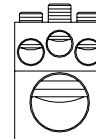


Line Side Wire Approvals:

Wire Size	Torque	Copper Wire Stranding Classes - Number of Strands						
		Solid	Class B	Class C	Class G	Class H	Class I	Class K
500 kcmil	375 in. lbs		37	61				
400	375 in. lbs		37	61	~ 259	~ 427	~ 980	
350	375 in. lbs		37	61	~ 259	~ 427	~ 882	~ 3458
300	375 in. lbs		37	61	~ 259	~ 427	~ 735	~ 2989
250	375 in. lbs		37	61	~ 259	~ 427	~ 637	~ 2499
4/0	375 in. lbs		19	37	~ 133	~ 259	~ 532	~ 2107
3/0	375 in. lbs		19	37	~ 133	~ 259	~ 418	~ 1666
2/0	375 in. lbs		19	37	~ 133	~ 259	~ 342	~ 1323
1/0	375 in. lbs		19	37	~ 133	~ 259	~ 266	~ 1064
1	375 in. lbs		19	37	~ 133	~ 259	~ 210	~ 836
2	375 in. lbs		7	19	~ 49	~ 133	~ 161	~ 665
4	375 in. lbs		7	19				

~Quantity of strands for Classes G, H, I, K may vary by manufacturer.

Aluminum Wire Range: 500kcmil – #4 AWG



Load Side Wire Approvals:

Wire Size	Torque	Copper Wire Stranding Classes - Number of Strands						
		Solid	Class B	Class C	Class G	Class H	Class I	Class K
350 kcmil	275 in. lbs		37	61				
300	275 in. lbs		37	61				
250	275 in. lbs		37	61	~ 259	~ 427	~ 637	~ 2499
4/0	275 in. lbs		19	37	~ 133	~ 259	~ 532	~ 2107
3/0	275 in. lbs		19	37	~ 133	~ 259	~ 418	~ 1666
2/0	275 in. lbs		19	37	~ 133	~ 259	~ 342	~ 1323
1/0	275 in. lbs		19	37	~ 133	~ 259	~ 266	~ 1064
1	275 in. lbs		19	37	~ 133	~ 259	~ 210	~ 836
2	275 in. lbs		7	19	~ 49	~ 133	~ 161	~ 665
4	275 in. lbs		7	19				
6	275 in. lbs		7	19				

Aluminum Wire Range: 350kcmil – #6 AWG

Wire Size	Torque	Copper Wire Stranding Classes - Number of Strands						
		Solid	Class B	Class C	Class G	Class H	Class I	Class K
2 AWG	50 in. lbs		7	19				
4	45 in. lbs		7	19	~ 49	~ 133	~ 105	~ 420
6	45 in. lbs		7	19	~ 49	~ 133	~ 63	~ 266
8	40 in. lbs		(1-2)* 7	(1-2)* 19	~ 49	~ 133	(1-2)* ~ 41	(1-2)* ~ 168
10	35 in. lbs	1	(1-2)* 7	(1-2)* 19			(1-2)* ~ 27	(1-2)* ~ 104
12	35 in. lbs	1	(1-4)* 7	(1-4)* 19			(1-2)* ~ 19	(1-2)* ~ 65
14	35 in. lbs	1	(1-4)* 7	(1-4)* 19			(1-2)* ~ 19	(1-2)* ~ 41

~Quantity of strands for Classes G, H, I, K may vary by manufacturer.

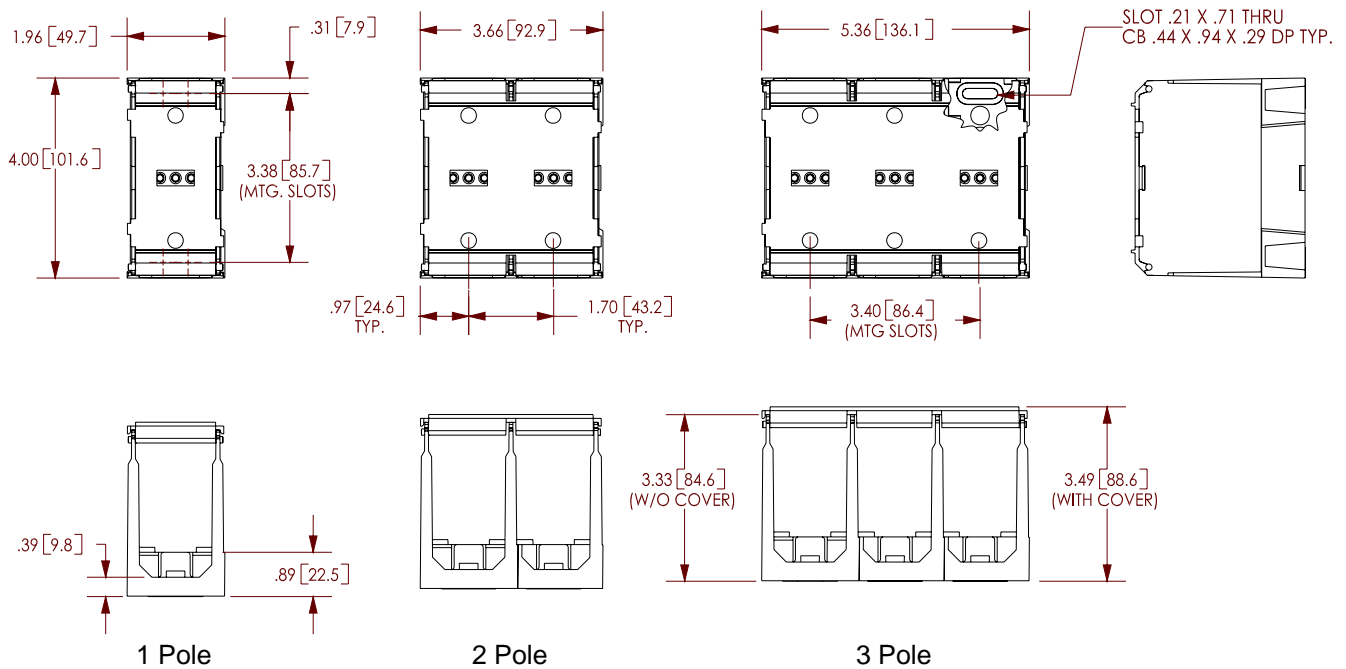
*Multiple conductor approvals for **LOAD** side only. (copper wire only)

Aluminum Wire Range: #2 AWG – #8 AWG

- Wire strip length, line side tap – 1 3/16"
- Wire strip length, load side, top row tap – 9/16", bottom row tap – 3/4 "
- Hex keys required : line side - 3/8", load side - 5/32" and 5/16"
- Panel mountable: #10 fastener, torque to 25-30 in. lbs.

Accessories:

- Marker Strips. MS-X-L (Replace X with 1, 2, or 3 for no. of poles)



WWW.ILSCO.COM
1-800-776-9775