

# Product Data Sheet



## PDH-18-600-X

Replace "X" with 1, 2 or 3 for number of poles

**Power Distribution Block**  
**420 Amps, 600 Volts (AC/DC)**  
**1,000V AC/DC CE (IEC 60947-7-1)**



### Wire Range:

Line side: (1) 600kcmil - #2 AWG

Load Side: (8) #2 - #14 AWG

[See tables below for SCCR wire ranges, flexible stranded and multiple wire approvals.](#)

### Electrical Ratings:

- 420A copper wire, 340A aluminum wire (Based on NEC Table 310-16, 75°C columns)
- CE Rated Voltage (U<sub>i</sub>): 1,000 V AC/DC per IEC 60947-7-1
- Material Group: IIIa
- Pollution Degree: 3
- 600 Volts AC/DC (UL 1059 Class C, User Group - General Industrial)
- Factory and Field Wiring

### Short Circuit Current Ratings (Copper wire only):

| Wire Class | Suitable Conductors (kcmil/AWG) |        | Overcurrent Protection Fuse Required Class/Max Amp Rating |     |     |     |    |    | SCCR, RMS SYM Amps | Volts Max |
|------------|---------------------------------|--------|---|-----|-----|-----|----|----|--------------------|-----------|
|            | Line                            | Load   | J   | T   | RK1 | RK5 | G  | CC |                    |           |
| B, C       | 600 - 3/0                       | 2 - 8  | 600   | 600 | 600 |     |    |    | 50,000             | 600       |
| B, C       | 600 - 3/0                       | 2 - 8  | 400   | 400 | 400 | 200 | 60 | 30 | 100,000            | 600       |
| B, C       | 2/0 - 2                         | 2 - 14 | 200   | 200 | 200 | 100 | 60 | 30 | 100,000            | 600       |
| G, H, I, K | 350 - 2                         | 4 - 10 | 150   | 150 | 100 | 30  | 60 | 30 | 100,000            | 600       |

• Short Circuit Current Rating investigated in 16 x 12 x 6 enclosure. Use in smaller enclosure is subject to end-use evaluation.

### Mechanical Ratings:

- Maximum insulator base and cover temperature: 125°C (257°F) UL RTI
- Flammability rating of insulator base and cover: UL 94 V-0
- \* Use outside these ratings needs to be judged in the end-use application.

**Materials:**

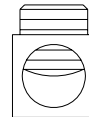
- Connector: High conductivity aluminum, tin plated
- Insulator base: Glass filled polycarbonate (thermoplastic)
- Terminal set screws: Steel, nickel plated and aluminum, tin plated
- Connector mounting screws: Steel, zinc plated
- Hinged cover: Glass filled polycarbonate (thermoplastic)

**Agency Approvals:**

- UL Recognized, UL 1059 Terminal Block Standard, File No. E84782
- CSA Certified, CSA C22.2 No. 158, File No. MC 249467 (Wire Classes B & C only)
- CE compliant to IEC 60947-7-1
- RoHS Compliant

**Wire Approvals:**

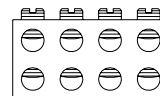
**Line Side Wire Approvals:**



|           |             | Copper Wire Stranding Classes - Number of Strands |         |         |         |         |         |         |
|-----------|-------------|---|---------|---------|---------|---------|---------|---------|
| Wire Size | Torque      | Solid   | Class B | Class C | Class G | Class H | Class I | Class K |
| 600 kcmil | 375 in. lbs |   | 37      | 61      |         |         |         |         |
| 500       | 375 in. lbs |   | 37      | 61      |         |         |         |         |
| 400       | 375 in. lbs |   | 37      | 61      | ~ 259   | ~ 427   | ~ 980   | ~ 3990  |
| 350       | 375 in. lbs |   | 37      | 61      | ~ 259   | ~ 427   | ~ 882   | ~ 3458  |
| 300       | 375 in. lbs |   | 37      | 61      | ~ 259   | ~ 427   | ~ 735   | ~ 2989  |
| 250       | 375 in. lbs |   | 37      | 61      | ~ 259   | ~ 427   | ~ 637   | ~ 2499  |
| 4/0       | 375 in. lbs |   | 19      | 37      | ~ 133   | ~ 259   | ~ 532   | ~ 2107  |
| 3/0       | 375 in. lbs |   | 19      | 37      | ~ 133   | ~ 259   | ~ 418   | ~ 1666  |
| 2/0       | 375 in. lbs |   | 19      | 37      | ~ 133   | ~ 259   | ~ 342   | ~ 1323  |
| 1/0       | 375 in. lbs |   | 19      | 37      | ~ 133   | ~ 259   | ~ 266   | ~ 1064  |
| 1         | 375 in. lbs |   | 19      | 37      | ~ 133   | ~ 259   | ~ 210   | ~ 836   |
| 2         | 375 in. lbs |   | 7       | 19      | ~ 49    | ~ 133   | ~ 161   | ~ 665   |

Aluminum stranded wire range: 600kcmil – #2 AWG

~Quantity of strands for Classes G, H, I, K may vary by manufacturer.



**Load Side Wire Approvals:**

|           |            | Copper Wire Stranding Classes - Number of Strands |          |           |         |         |             |              |
|-----------|------------|---|----------|-----------|---------|---------|-------------|--------------|
| Wire Size | Torque     | Solid   | Class B  | Class C   | Class G | Class H | Class I     | Class K      |
| 2 AWG     | 50 in. lbs |   | 7        | 19        |         |         |             |              |
| 4         | 45 in. lbs |   | 7        | 19        | ~ 49    | ~ 133   | ~ 105       | ~ 420        |
| 6         | 45 in. lbs |   | 7        | 19        | ~ 49    | ~ 133   | ~ 63        | ~ 266        |
| 8         | 40 in. lbs |   | (1-2)* 7 | (1-2)* 19 | ~ 49    | ~ 133   | (1-2)* ~ 41 | (1-2)* ~ 168 |
| 10        | 35 in. lbs | 1   | (1-2)* 7 | (1-2)* 19 |         |         | (1-2)* ~ 27 | (1-2)* ~ 104 |
| 12        | 35 in. lbs | 1   | (1-4)* 7 | (1-4)* 19 |         |         | (1-2)* ~ 19 | (1-2)* ~ 65  |
| 14        | 35 in. lbs | 1   | (1-4)* 7 | (1-4)* 19 |         |         | (1-2)* ~ 19 | (1-2)* ~ 41  |

~ Quantity of strands for Classes G, H, I, K may vary by manufacturer.

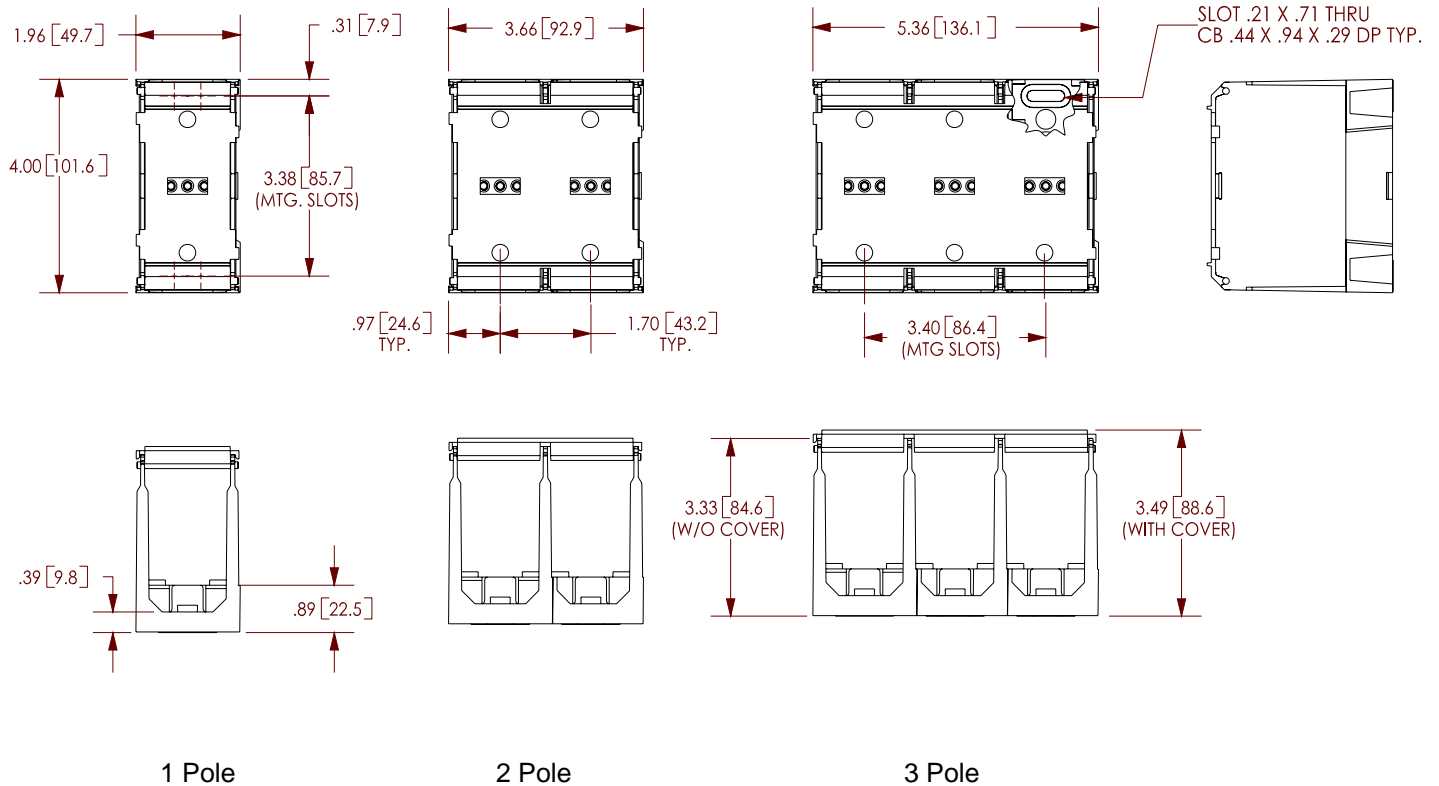
\* Multiple conductor approvals for **LOAD** side only. (copper wire only)

Aluminum stranded wire ranges: 2 – 8

- Wire strip length, line side tap – 1 9/16”
- Wire strip length, load side tap, top row – 11/16”, bottom row – 1 1/16”
- Hex keys required : line side - 1/2”, load side - 5/32”
- Panel mountable: #10 fastener, torque to 25-30 in. lbs.

**Accessories:**

- Marker Strips. MS-X-L (Replace X with 1, 2, or 3 for no. of poles)



[WWW.ILSCO.COM](http://WWW.ILSCO.COM)  
1-800-776-9775