

# Product Data Sheet



## PDH-28-250-X

Replace "X" with 1, 2 or 3 for number of poles

**Power Distribution Block**  
**510 Amps, 600 Volts (AC/DC)**  
**1,000V AC/DC CE (IEC 60947-7-1)**



### Wire Range:

Line side: (2) 250kcmil – 1/0  
 Load Side: (8) #2 - #14 AWG

See tables below for SCCR wire ranges, flexible stranded and multiple wire approvals.

### Electrical Ratings:

- 510A copper wire, 410A aluminum wire (Based on NEC Table 310-16, 75°C columns)
- CE Rated Voltage (U<sub>i</sub>): 1,000 V AC/DC per IEC 60947-7-1
- Material Group: IIIa
- Pollution Degree: 3
- 600 Volts AC/DC (UL 1059 Class C, User Group - General Industrial)
- Factory and Field Wiring

### Short Circuit Current Ratings (Copper wire only):

Wire Class	Suitable Conductors (kcmil/AWG)		Overcurrent Protection Fuse Required Class/Max Amp Rating						SCCR, RMS SYM Amps	Volts Max
	Line	Load	J	T	RK1	RK5	G	CC		
B, C	250 - 1/0	2 - 14	600	600	600	200	60	30	100,000	600
G, H, I, K	3/0 - 1/0	4 - 14	150	150	100	30	60	30	100,000	600

- Short Circuit Current Rating investigated in 16 x 12 x 6 enclosure. Use in smaller enclosure is subject to end-use evaluation.

### Mechanical Ratings:

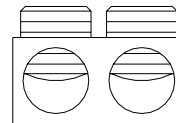
- Maximum insulator base and cover temperature: 125°C (257°F) UL RTI
- Flammability rating of insulator base and cover: UL 94 V-0
- \* Use outside these ratings needs to be judged in the end-use application.

**Materials:**

- Connector: High conductivity aluminum, tin plated
- Insulator base: Glass filled polycarbonate (thermoplastic)
- Terminal set screws: Aluminum, tin plated and steel, nickel plated
- Connector mounting screws: Steel, zinc plated
- Hinged cover: Glass filled polycarbonate (thermoplastic)

**Agency Approvals:**

- UL Recognized, UL 1059 Terminal Block Standard, File No. E84782
- CSA Certified, CSA C22.2 No. 158, File No. MC 249467 (Wire Classes B & C only)
- CE compliant to IEC 60947-7-1
- RoHS Compliant



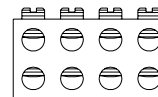
**Wire Approvals:**

**Line Side Wire Approvals:**

		Copper Wire Stranding Classes - Number of Strands						
Wire Size	Torque	Solid	Class B	Class C	Class G	Class H	Class I	Class K
250 kcmil	275 in. lbs		37	61				
4/0	275 in. lbs		19	37	~ 133	~ 259		
3/0	275 in. lbs		19	37	~ 133	~ 259	~ 418	~ 1666
2/0	275 in. lbs		19	37	~ 133	~ 259	~ 342	~ 1323
1/0	275 in. lbs		19	37	~ 133	~ 259	~ 266	~ 1064

~Quantity of strands for Classes G, H, I, K may vary by manufacturer.

Aluminum stranded wire range: 250kcmil – 1/0



**Load Side Wire Approvals:**

		Copper Wire Stranding Classes - Number of Strands						
Wire Size	Torque	Solid	Class B	Class C	Class G	Class H	Class I	Class K
2 AWG	50 in. lbs		7	19				
4	45 in. lbs		7	19	~ 49	~ 133	~ 105	~ 420
6	45 in. lbs		7	19	~ 49	~ 133	~ 63	~ 266
8	40 in. lbs		(1-2)* 7	(1-2)* 19	~ 49	~ 133	(1-2)* ~ 41	(1-2)* ~ 168
10	35 in. lbs	1	(1-2)* 7	(1-2)* 19			(1-2)* ~ 27	(1-2)* ~ 104
12	35 in. lbs	1	(1-4)* 7	(1-4)* 19			(1-2)* ~ 19	(1-2)* ~ 65
14	35 in. lbs	1	(1-4)* 7	(1-4)* 19			(1-2)* ~ 19	(1-2)* ~ 41

~ Quantity of strands for Classes G, H, I, K may vary by manufacturer.

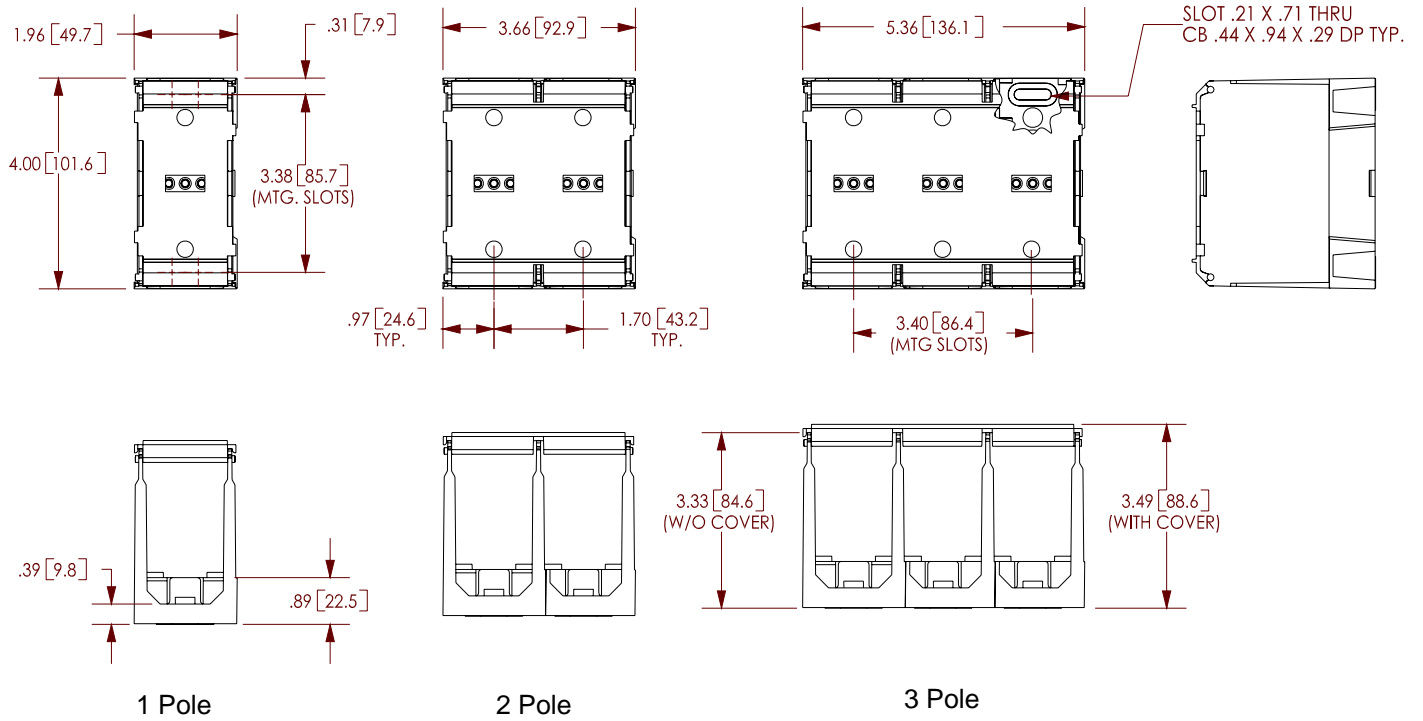
\* Multiple conductor approvals for **LOAD** side only. (copper wire only)

Aluminum stranded wire ranges: #2 – #14 AWG

- Wire strip length, line side tap – 1 9/16”
- Wire strip length, load side tap, top row – 1 11/16”, bottom row – 1 1/8”
- Hex keys required: line side - 5/16”, load side - 5/32”
- Panel mountable: #10 fastener, torque to 25-30 in. lbs.

**Accessories:**

- Marker Strips. MS-X-L (Replace X with 1, 2, or 3 for no. of poles)



[WWW.ILSCO.COM](http://WWW.ILSCO.COM)  
1-800-776-9775